

## FEATURES

- Frequency Band: 57GHz ~ 70GHz
- Specification: IEEE 802.11ad
- Custom Features for Performance and Long-Range Link Connection
- Support USB3.0 Interface to Host
- Support for Linux Wireless LAN Driver
- Single carrier BPSK, QPSK, 16QAM modulation modes
- FEC LDPC 1/2, 5/8, 3/4, 13/16
- Support AES-128 GCMP security
- Media Access: CSMA/CA, Reservation Access
- Beamforming
- Supported Data Rates up to 4.62Gbps
- Peak Power Consumption 2.0W

## IEEE802.11ad

- PCP or STA Mode
- Reset, Start, Scan, Join, Associate, Disassociate
- Block Ack, TSPEC for QoS
- Personal authentication using GCMP
- Discovery Mode
- DTT operation – CBP, SP
- AMPDU up to 56Kbytes
- Various Priorities and Service Classes
  - QoS with Ack
  - QoS with No Ack
  - Video, Voice, Best Effort, Background

## Applications

- Wireless backhaul for small cells in 5G mobile networks
- Wireless backlink for 2.4GHz/5GHz WiFi Hot Spots to Internet Gateway
- Wireless high-resolution, multi-cameras video network for enabling video analytics (AI) in Industry 4.0, Smart City, Security & Surveillance
- Wireless UHD (4k) video Streaming for TV, Monitor, Projector, NAS, Camera
- Wireless network for business that requires high data security level

## Contact

Email : [sales@cloptech.com](mailto:sales@cloptech.com)

[www.cloptech.com](http://www.cloptech.com)

**Singapore Office**

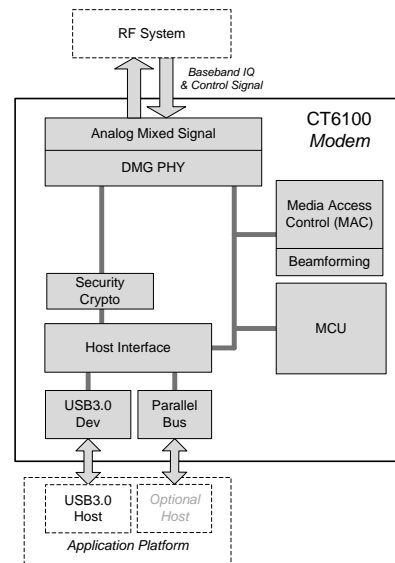
73, Ayer Rajah Crescent #01-22

Singapore 139952

## OVERVIEW

60GHz multi-gigabits wireless baseband is designed based on IEEE 802.11ad standard. Supporting up to 4.6Gbps peak data rate, it is suitable for low-latency data demanding applications such as real-time video streaming, AirDrop, Wi-Fi Direct, and other fast transfers.

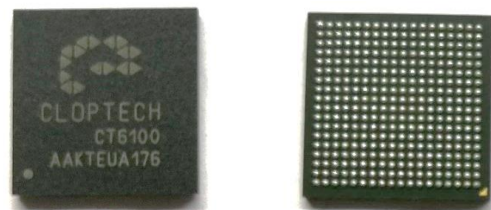
Wireless solution supports TCP/IP networking to allow user application IP connection and data transfer. USB3.0 interface used for Application Platform connectivity and various RF System options available for Custom Solution offerings.



BLOCK DIAGRAM

## Package Type

10.0mm x 10.0mm, 0.5mm pitch, 324-ball TFBGA (CT6100)  
Reference Schematic Available



## Evaluation Kit

CT6100-M3 Starter Kit



DISCLAIMER: The information given in this document shall in no event be regarded as a guarantee of conditions or characteristics. With respect to any examples or hints given herein, any typical values stated herein and/or any information regarding the application of device, CLOPTech hereby disclaims all warranties and liabilities of any kind, including without limitation warranties of non-infringement of intellectual property rights of any third party.